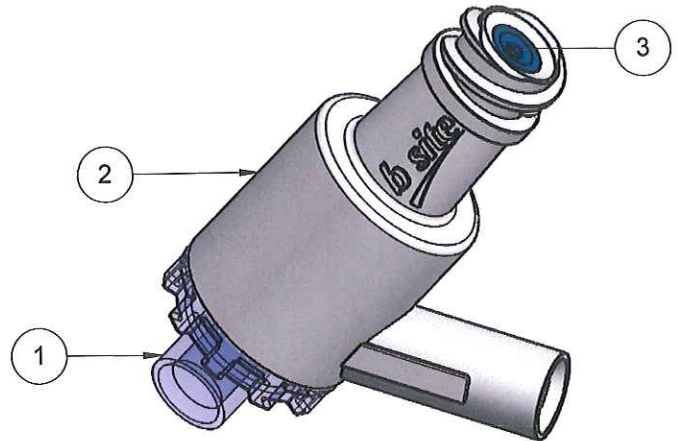


ORIGINAL



NOTA :

| Rep | Matière | Code matière |
|-----|--------------------|--------------|
| 1 | PC | M0260 |
| 2 | PC | M0260 |
| 3 | Silicone+ Colorant | M1001+M1002 |
| | Lubrifiant | M1000 |

| PRODUCT SPECIFICATION | |
|-----------------------|------------------------------|
| Flow rate | 6 l/h at 1 meter head height |
| Priming volume | 0.5 ml |
| Back pressure | 60 PSI (tested with water) |
| Negative pressure | -2.9 PSI |
| Displacement | -0.008 < > 0 |

| APPROBATION / APPROVAL | | |
|------------------------------|-----------------------|--------------------|
| Client / Customer : | Promepla Resp. BE : | Promepla Qualité : |
| | <i>DS</i> 08.02.13 | |
| Nom / Name, date & signature | | |

| | | | | |
|------|------------|----------|---------------|---------------------------|
| 0 | 05/11/2012 | BOUJMADA | Creation | FOR073 : 6679 |
| Rev. | Date | Designer | Modifications | N° Fiche FOR073 ou FOR021 |

| | | | |
|--|------------------------|---------------------|--|
| Normes : | | | |
| Matière : VOIR NOTA | P. 1 / 1 | Echelle : 2:1 | |
| Code matière : VOIR NOTA | Revision : 0 | Format : A4 | |
| Reference : ICB09099 | Tolérances générales : | Unités : mm, °, grs | |
| Designation : SITE CLOS A ACTIVATION LUER EN Y- POUR TUBE ØE 4.1mm | | FOR035-1 | |