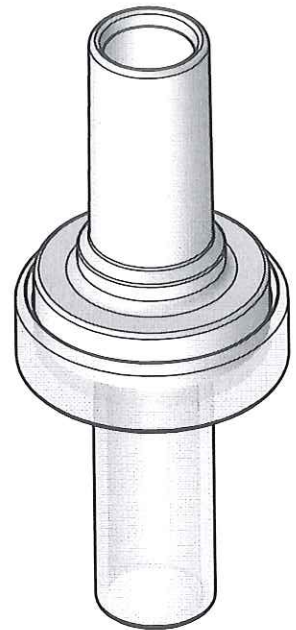
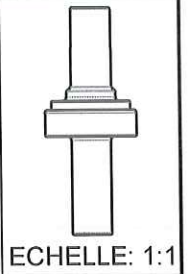
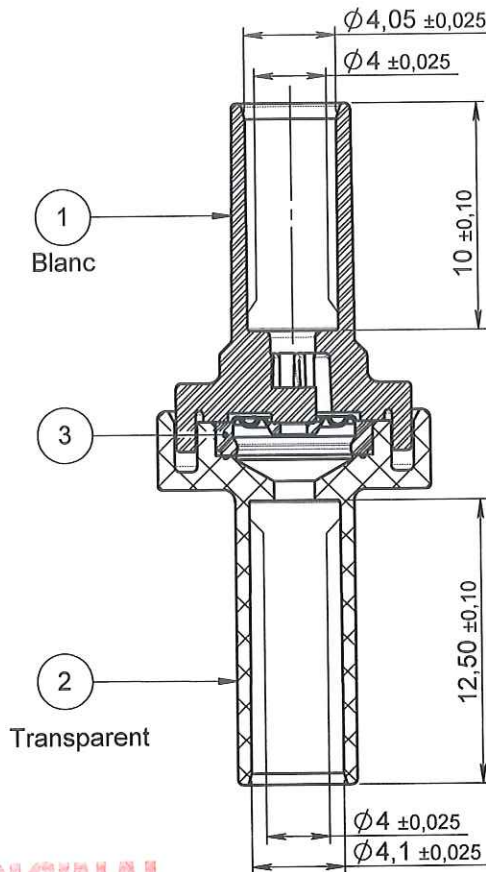


COUPE A-A



ORIGINAL

Checkvalve in stand by position	Closed
Maximum retrograde leakrate:	$\leq 0.1\text{ml/ h}$ at a flow rate of 0.5 ml/ h
Position of use:	Independent
Priming:	Airbubbles completely removable
Crack pressure:	$\leq 6\text{ mbar}$
Crack pressure after back pressure of 6 bar for 15 min:	$\leq 12\text{ mbar}$
Maximum back pressure:	8 bar
Burst pressure (at room temperature in flow direction for 15 seconds air overpressure):	8 bar
Flowrate with infusion set according to ISO 8536-4 with Glucose 40	$\geq 110\text{ml/ min}$
Flowrate with infusion set according to ISO 8536-4 with water (0.9% NaCl)	$\geq 150\text{ml/ min}$
Sterilization:	ETO-gas, γ - irradiation up to 50 kGy

NOTA:

Rep.	Matière	Code Matière
1	MABS + colorant	M0480 +M0507
2	MABS	M0480
3	Silicone	M0114

APPROBATION / APPROVAL		
Client / Customer :	Promepla Resp. BE :	Promepla Qualité :
FD	24.11.2016	
Nom, date et signature		

0	19/04/2016	BOUJMADA	Creation (Code proto. 180116A)	FOR073: 9412
Rev.	Date	Designer	Modifications	N° Fiche FOR073 ou FOR021

Normes :

Matière : VOIR NOTA	P. 1 / 1	Echelle : 3:1	
Code matière : VOIR NOTA	Revision : 0	Format : A4	
Reference : PBP46053 Designation : VALVE ABS-PRESSION OUVERTURE 6 mbar-TUBE ØE 4,1mm	Tolérances générales :	Unités : mm, °, grs	
		PROMEPLA	
		FOR035-1	