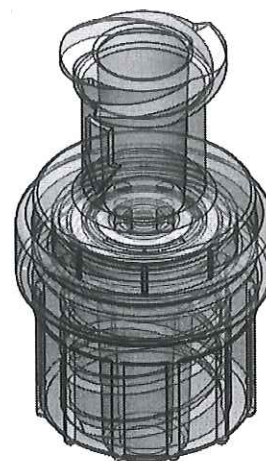
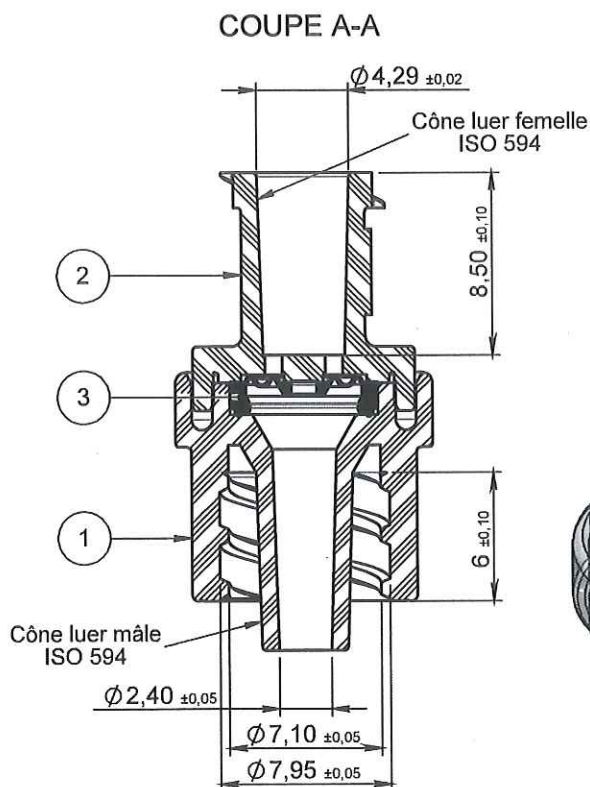
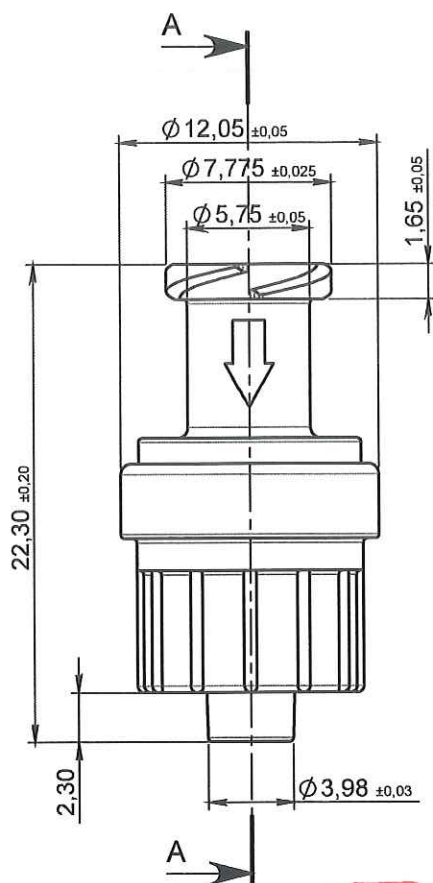




ECHELLE: 1:1

**ORIGINAL****NOTA:**

Checkvalve in stand by position	Closed
Maximum retrograde leakrate:	≤ 0.1ml/ h at flow rate of 0.5 ml/ h
Position of use:	Independent
Priming:	Airbubbles completely removable
Crack pressure:	≤ 6 mbar
Crack pressure after back pressure of 6 bar for 15 min:	≤ 12mbar
Maximum back pressure:	8 bar
Burst pressure (at room temperature in flow direction for 15 seconds air overpressure):	8 bar
Flowrate with infusion set according to DIN 8536 with Glucose 40%:	≥ 110 ml/ min
Flowrate with infusion set according to DIN 8536 with water (0.9% NaCl)	≥ 150 ml/ min
Sterilization:	ETO-gas, γ- irradiation up to 50 kGy

Rep.	Matière	Code Matière
1	SAN	M0376
2	SAN	M0376
3	Silicone	M0256

APPROBATION / APPROVAL		
Client / Customer:	Promepla Resp. BE: <i>D. W. F. F. F.</i>	Promepla Qualifié: <i>[Signature]</i>
Nom / Name, date & signature		

0	21/11/2014	DUBOIS	Creation	FOR073 : 8310
Rev.	Date	Designer	Modifications	N° Fiche FOR073 ou FOR021

Normes : ISO 594-1/ -2

Matière : VOIR NOTA	P. 1 / 1	Echelle : 3:1	
Code matière : VOIR NOTA	Revision : 0	Format : A4	
Reference : PBP37050	Tolérances générales :		Unités : mm, °, grs
Designation : VALVE SAN - PRESSION D'OUVERTURE 6mBar - LLF-LLM	PROMEPLA		FOR035-1