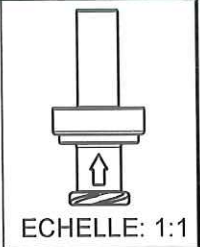
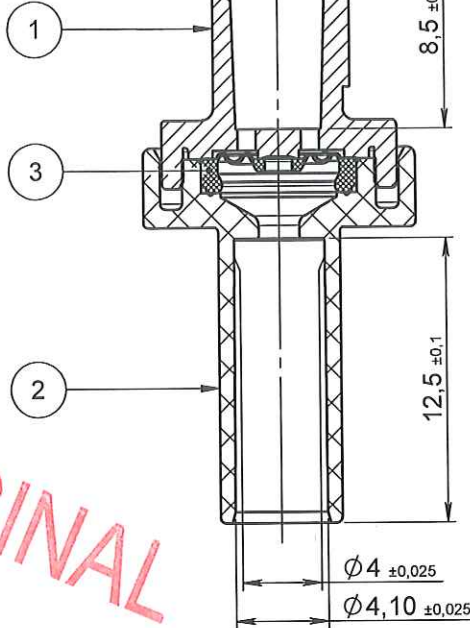


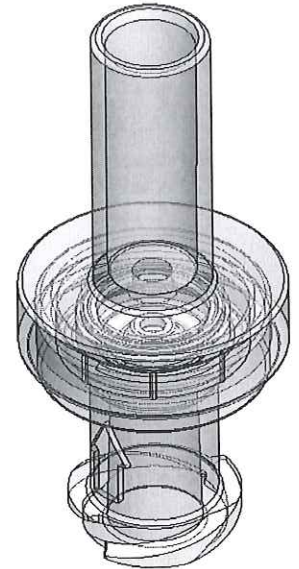
COUPE A-A

Cône luer femelle ISO 594



ECHELLE: 1:1

ORIGINAL



Checkvalve in stand by position	Closed
Maximum retrograde leakrate:	≤ 0.1ml/ h at flow rate of 0.5 ml/ h
Position of use:	Independent
Priming:	Airbubbles completely removable
Crack pressure:	≤ 12 mbar
Crack pressure after back pressure of 6 bar for 15 min:	≤ 20 mbar
Maximum back pressure:	6 bar
Burst pressure (at room temperature in flow direction for 15 seconds air overpressure):	6 bar
Flowrate with infusion set according to DIN 58 362 with Glucose 40%:	≥ 90 ml/ min
Sterilization:	ETO-gas, γ- irradiation up to 50 kGy

NOTA:

Rep.	Matière	Code Matière
1	PC	M0260
2	PC	M0260
3	Silicone	M0114

Rev.	Date	Designer	Modifications	Internal Validation	Quality Validation
1	21/03/2012	BOUJMADA	Mise au format SW		
0	27/08/2007	BOUCHARD	Creation		

Dessinateur : BOUCHARD Date : 20/03/2008	Visa : <i>Fred Danchin</i> Date : <i>11.02.13</i>	Echelle : 3:1 Unités : mm, °, grs	Tolérances générales :
Matière : VOIR NOTA	Normes : ISO 594 -1/2		
Code matière : VOIR NOTA	P. 1 / 1		
Référence : PBP27090 Désignation : VALVE P.C TRANS. - PRESSION OUVERTURE 12Mbar - LLF - ØE 4.1mm	Révision : 1	 FOR035-0	