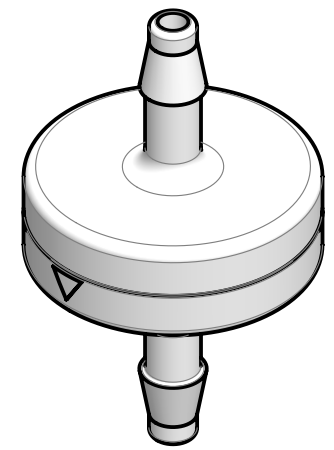


NOTE:

| Rep | Matirial | Matirial code |
|-----|----------|---------------|
| 1 | PA | M0053 |
| 2 | Silicone | M1322 |



ALL PRINTED COPIES ARE FOR REFERENCE ONLY

| | | | |
|--|------------|----------------------------|--------------|
| 00 | 13/01/2023 | HAR | Creation |
| Rev. | Date | Designer | Modification |
| R&D Approv.: JJA Date: 13/01/2023 | | QA Approv.: Date: | |
| Material: PA SILICONE | | Cust. Approv.: -- Date: | |
| Material code: M0053 + M1322 | | Norms: N/A | |
| Reference: PBN27120 | | Color: Natural | |
| Designation: CHECK VALVE WITH BARB FOR 1/8" ID TUBE - PA | | Revision: 00 | |
| General tolerances: ± 0,381 | | Status: VALID | |
| Units: mm, °, grs | | Scale: 2:1 | |
| | | | |
| | | FOR035-4 P. 1 / 1 A4 | |