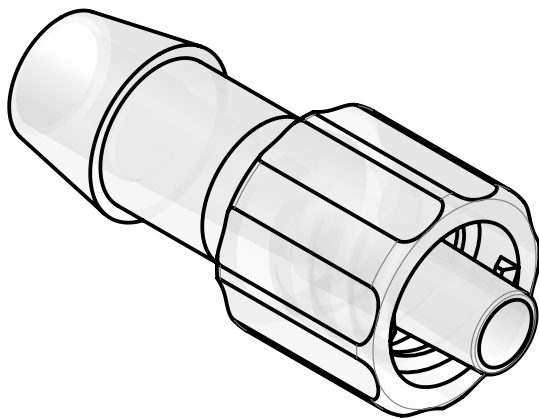
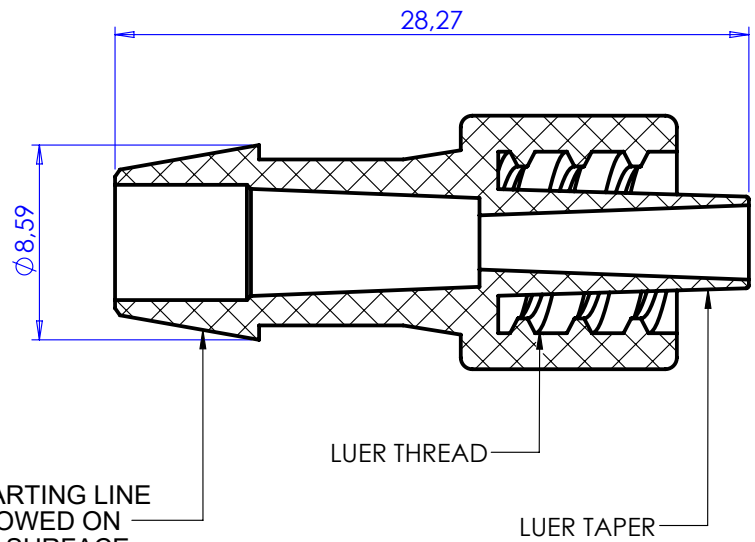
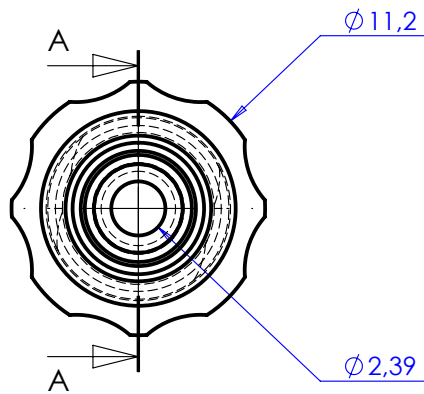


SCALE 1:1

SECTION A-A



ALL PRINTED COPIES ARE FOR REFERENCE ONLY

00	16/12/2022	OUB	Creation				
Rev.	Date	Designer	Modification				
R&D Approv.: JJA Date: 16/12/2022		QA Approv.: Date:		Cust. Approv.: Date:		Norms: ISO 594/1	
Material: PP				Color: Natural		Revision: 00	
Material code: M0598						Status: VALID	
Reference: AAN11040				General tolerances: .X ±0.3 .XX ±0.13		Scale: 3:1	
Designation: MALE LUER LOCK / BARB 1/4"(6.4mm) ID - ANIMAL FREE PP				Units: mm, °, grs			
				FOR035-4		P. 1 / 1	
						A4	